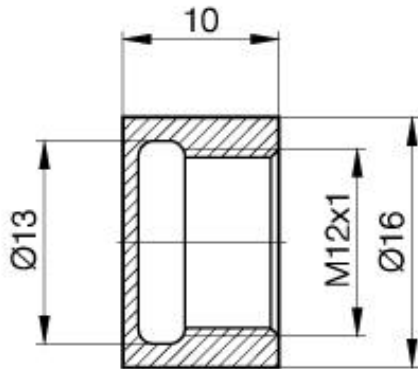


## Accessories: Mounting unit BES 12-SM-2

### Common Data

Version  
Usable with

Cover Nut  
for Sensors M12x1



### Mechanical Data

Measurements W x H x D or Dia x D  
Material

Ø16 x 10  
Delrin

PX0758

Datasheet number::

Definitions see general catalog.  
If not otherwise noted, ratings according to  
IEC 60947-5-2 (DIN EN60947-5-2)

Balluff GmbH  
Schurwaldstrasse 9  
73765 Neuhausen a.d.F.  
Phone (07158) 173-0 Fax (07158) 5010

Datenblatt by CD-ROM - 04/2007

**BALLUFF**  
sensors worldwide